

EP PFA Manual Valves, 1 1/2" and 2", 2-way

Enable high flow, bulk chemical delivery in high-purity, corrosive chemical applications

Our EP PFA 1-1/2" and 2" manual valves are uniquely designed to ensure port-to-port seal integrity and are capable of distributing large volumes of high-purity chemical. Available in 2-way manual multi-turn configurations and industry-leading port connections including PrimeLock®, flare, or 40A or 50A PureBond® pipe, our portfolio of 1-1/2" and 2" EP PFA valves will meet your most demanding bulk chemical delivery needs in semiconductor and flat panel display applications.



1-1/2" and 2" EP PFA manual valves

APPLICATIONS

- Bulk chemical delivery in the semiconductor and flat panel display markets
- High-purity, corrosive chemical handling within the semiconductor and flat panel display markets

FEATURES & BENEFITS

High C, flows	Capable of carrying large volumes of chemical with minimal pressure drop
Visual valve position indication	Allow easy on/off control
PFA and PTFE wetted materials of construction	Provide chemical resistance to a broad range of corrosive chemicals

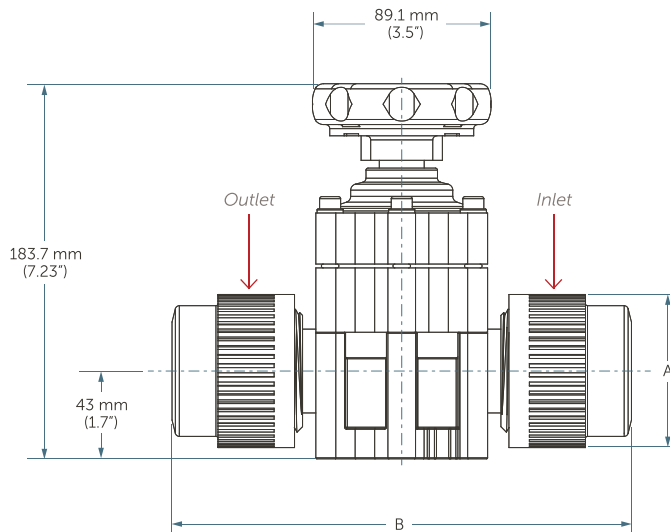
SPECIFICATIONS

Materials	All wetted parts	PFA, PTFE
	Nonwetted parts	Copper, Viton®, stainless steel 304, brass, PP+G/F, PC
Pressure range	689.5 kPa (100 psig) @ 21°C (70°F) fluid temperature	
	441 kPa (64 psig) @ 90°C (194°F) fluid temperature	
Temperature range	21° to 90°C (70° to 194°F)	

DIMENSIONS

1½" EP PFA, Manual Valve

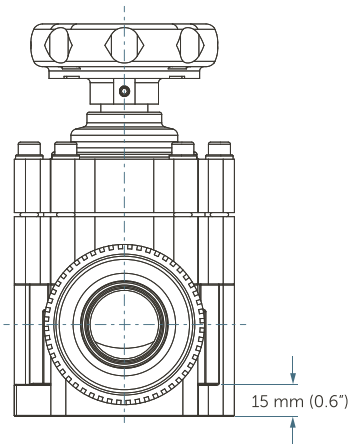
Front View



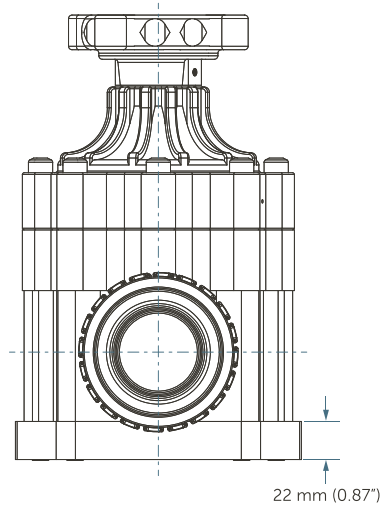
Port connection	Flow factor	Dimensions	
		A	B
1-1/2" EP PFA flare	16.6 C _v (14.4 K _v)	75.0 mm (2.95")	225.0 mm (8.86")
1-1/2" PrimeLock	16.6 C _v (14.4 K _v)	78.0 mm (3.07")	232.0 mm (9.13")
40 mm PrimeLock	16.6 C _v (14.4 K _v)	78.0 mm (3.07")	232.0 mm (9.13")

DIMENSIONS

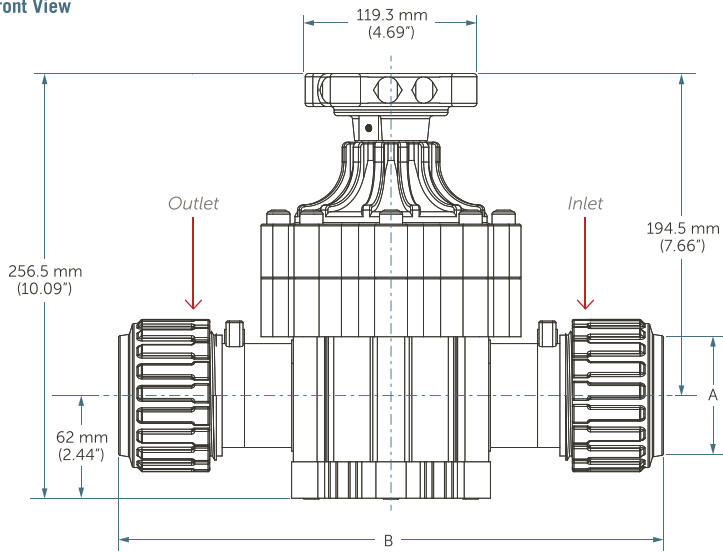
1½" EP PFA, Manual Valve
Side View



EP PFA 2" Manual Valve
Side View



EP PFA 2" Manual Valve
Front View



Port connection	Flow factor	Dimensions	
		A	B
1-1/2" PureBond pipe (40A)	38.5 C _v (33.3 K _v)	48.3 mm (1.90")	220.0 mm (8.66")
2" PureBond pipe (50A)	49.1 C _v (42.5 K _v)	60.3 mm (2.37")	220.0 mm (8.66")
2" EP PFA flare	42.3 C _v (36.6 K _v)	95.0 mm (3.74")	329.0 mm (12.9")

ORDERING INFORMATION

PART NUMBER	PORT CONNECTION	FASTENERS
PLMV-F24	1 1/2" EP PFA Flare	Stainless steel

ORDERING INFORMATION

PART NUMBER	PORT CONNECTION	FASTENERS
PLMV-F32-C	2" EP PFA flare	Coated stainless steel
PLMV-F32-N	2" EP PFA flare	Stainless steel
PLMV-K24	1 1/2" PrimeLock®	Stainless steel
PLMV-KM40	40 mm PrimeLock®	Stainless steel
PLMV-P24	1 1/2" PureBond® pipe (40A)	Stainless steel
PLMV-P24-C	1 1/2" PureBond® pipe (40A)	Coated stainless steel
PLMV-P32	2" PureBond® pipe (50A)	Stainless steel
PLMV-P32-C	2" PureBond® pipe (50A)	Coated stainless steel

FOR MORE INFORMATION

Please call your Regional Customer Service Center today to learn what Entegris can do for you. Visit [entegris.com](https://www.entegris.com) and select the [Contact Us](#) link to find the customer service center nearest you.

TERMS AND CONDITIONS OF SALE

All purchases are subject to Entegris' Terms and Conditions of Sale. To view and print this information, visit [entegris.com](https://www.entegris.com) and select the [Terms & Conditions](#) link in the footer.



Corporate Headquarters
129 Concord
Billerica, MA 01821
USA

Customer Service
Tel +1 952 556 4181
Fax +1 952 556 8022
Toll Free 800 394 4083

Entegris®, the Entegris Rings Design®, and other product names are trademarks of Entegris, Inc. as listed on [entegris.com/trademarks](https://www.entegris.com/trademarks). All third-party product names, logos, and company names are trademarks or registered trademarks of their respective owners. Use of them does not imply any affiliation, sponsorship, or endorsement by the trademark owner.

©2008-2022 Entegris, Inc. | All rights reserved. | Printed in the USA | 3273-5325DSA-0722