

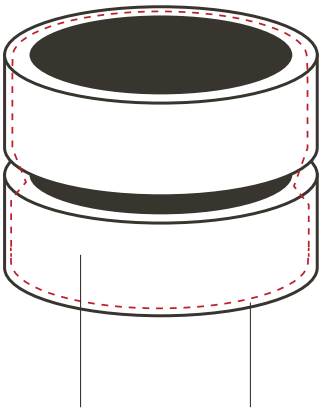
# We have safety, quality, supply chain, and implant expertise...

## We have SDS<sup>®</sup>4

### REDESIGNED CYLINDER VALVE

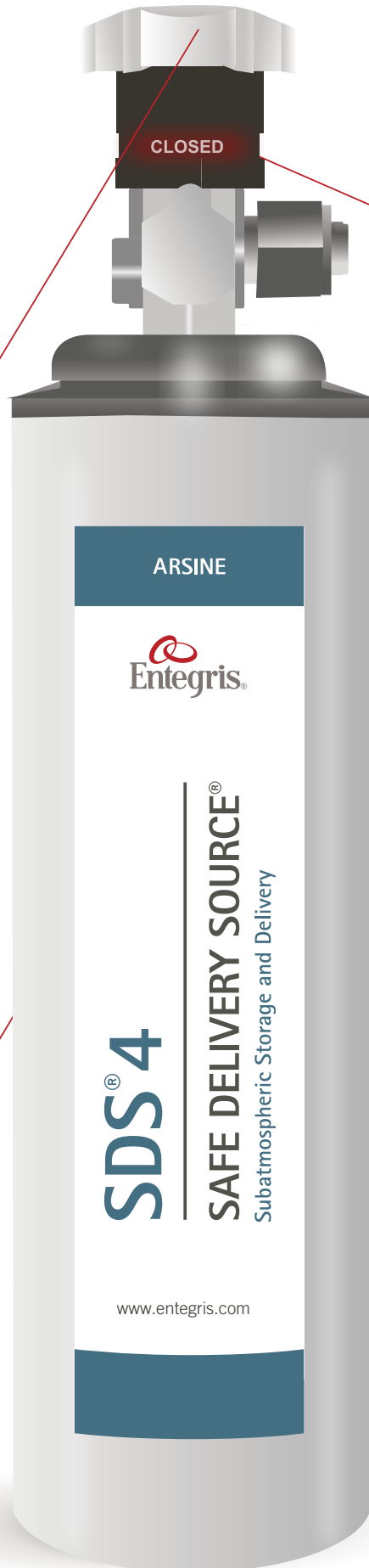
Newly designed and improved valve, featuring a dual sealing seat and a tied-diaphragm design

### ADSORBENT PURE AND INERT CARBON MEDIA



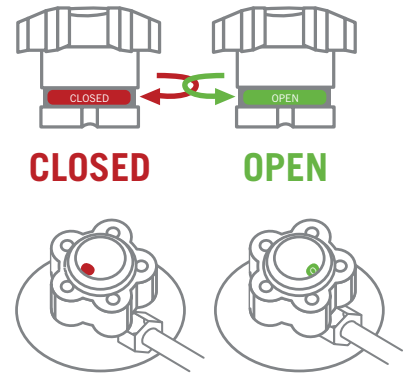
**CARBON "PUCKS"**      **ADSORBED GAS**

Micro-porous adsorbent carbon media has been optimized for electronic gas storage and delivery



### VALVE INDICATORS FOR SAFETY

The new valve also features a visual open/closed indicator



### INCREASED HYDRIDE GAS DELIVERY PERFORMANCE

Delivers up to **2x** more gas per hydride cylinder on average vs. other adsorbed gas packages

Ideal adsorbent offering the best combination of purity, stability, and capacity

Available with AsH<sub>3</sub> and PH<sub>3</sub> gases